

Crestron **PWE-4803RU**

PoE Injector

Installation Guide



Contents

PoE Injector: PWE-4803RU	1
Introduction	1
Specifications	2
Physical Description	3
Industry Compliance	5
Setup	6
Contact Information and Updates	7
Further Inquiries	7
Future Updates	7
Return and Warranty Policies	8
Merchandise Returns / Repair Service	8
CRESTRON Limited Warranty	8

All brand names, product names and trademarks are the property of their respective owners.
©2008 Crestron Electronics, Inc.

PoE Injector: PWE-4803RU

Introduction

The PWE-4803RU is a PoE (Power over Ethernet) injector that meets IEEE 802.3af requirements. The PWE-4803RU is designed to power Crestron 802.3af powered devices such as the CEN-WAP-ABG-1G wireless access point. The PWE-4803RU can also power third-party 802.3af powered devices.

NOTE: Only connect this PoE injector to a device that is 802.3af compliant. Plugging this PoE injector into a device that is not 802.3af compliant could damage the device or the PoE injector.

Using the PWE-4803RU, a separate power supply at the location of the 802.3af powered device is not needed. The PWE-4803RU can be mounted at any convenient location up to 328 feet (100 meters) from the device.

Specifications

Crestron suggests that only this PoE injector be used with designated 802.3af-compliant Crestron products. The specifications for the PWE-4803RU are as follows.

PWE-4803RU Specifications

SPECIFICATION	DETAILS
Output Rating	48 VDC nominal, 0.35 A maximum
Power Requirements	100-250 VAC, 50/60Hz
Environmental	
Temperature	32° to 104°F (0° to 40°C)
Humidity	10% to 90% RH (non-condensing)
Heat Dissipation	28 BTU/Hr
Enclosure	Black plastic, desktop
Dimensions	
Height	1.35 in (3.43 cm)
Width	2.40 in (6.10 cm)
Depth	3.98 in (10.11 cm)
Weight	6.0 oz (168.7 g)

Physical Description

This section provides information about the connections and the indicator available on your PWE-4803RU.

PWE-4803RU Physical View (Front and Back)

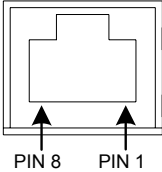
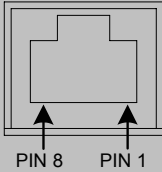
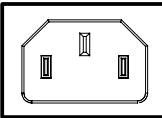


Connectors & Indicators

#	CONNECTORS & INDICATORS	DESCRIPTION
1	POWER LED	(1) Tri-Color LED that illuminates to indicate the connection status of the LAN PoE port: Green indicates that a PoE device is connected and is accepting power; Flashing red indicates that a non-PoE device is connected; Amber indicates that no device is connected.

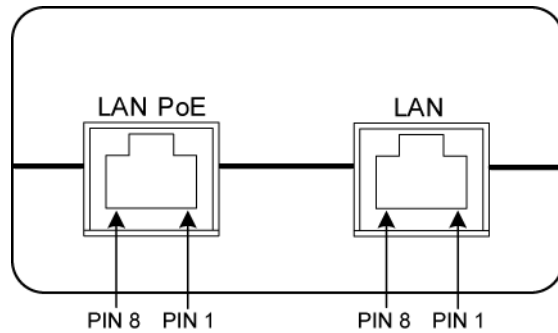
(Continued on following page)

Connectors & Indicators (Continued)

#	CONNECTORS & INDICATORS	DESCRIPTION
2	LAN PoE LAN PoE 	(1) 8-wire RJ-45 connector; 10BaseT/100BaseTX Power over Ethernet (PoE) port; Connects to 802.3af-compliant powered device. Maximum PoE load: 15.4 W (350 mA) @ 48 VDC nominal.* For information about pin assignments, refer to the illustration on the following page.
3	LAN LAN 	(1) 8-wire RJ-45 connector; 10BaseT/100BaseTX Ethernet port; Connects to Ethernet LAN. For information about pin assignments, refer to the illustration on the following page.
4	100 – 250 VAC, 50/60 Hz 	(1) IEC 320 C14 socket with ground, mates with removable power cord (included).

* Due to the inherent voltage drop over copper wire, a maximum of 12.9 W is guaranteed to be received by the PoE powered device over a cable run length of 328 feet (100 meters).

LAN PoE and LAN Connector Pin Assignments



LAN PoE Pins		LAN Pins
1. Data Pair 1	↔	1. Data Pair 1
2. Data Pair 1	↔	2. Data Pair 1
3. Data Pair 2	↔	3. Data Pair 2
4. +VDC		4. No Connection
5. +VDC		5. No Connection
6. Data Pair 2	↔	6. Data Pair 2
7. -VDC		7. No Connection
8. -VDC		8. No Connection

NOTE: In the listing of LAN PoE and LAN pins above, arrows denote internal pin connections.

Industry Compliance

This product is Listed to applicable UL Standards and requirements by Underwriters Laboratories Inc.



As of the date of manufacture, the PWE-4803RU has been tested and found to comply with specifications for CE marking and standards per EMC and Radiocommunications Compliance Labelling.

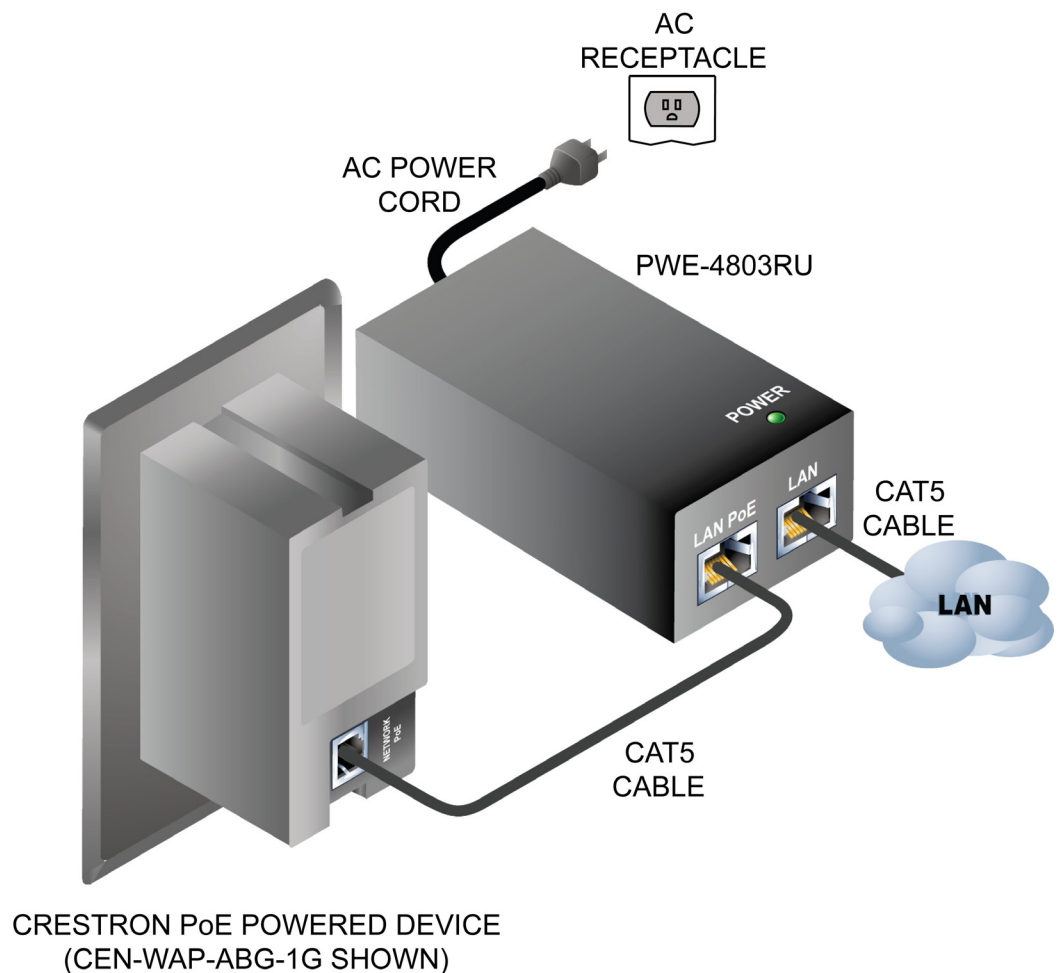


Setup

Complete the following steps to properly set up and connect the PoE injector. Refer to the illustration at the conclusion of the procedure.

1. Attach the supplied AC power cord to the IEC 320 connector on the PoE injector.
2. Insert the other end of the power cord into an active AC receptacle.
3. Using a CAT5 cable, connect the LAN port of the PoE injector to the LAN.
4. Using a CAT5 cable, connect the LAN PoE port of the PoE injector to the PoE port of an 802.3af-compliant powered device.

PoE Injector Hookup



Contact Information and Updates

Further Inquiries

If you cannot locate specific information or have questions after reviewing this guide, please take advantage of Crestron's award winning customer service team by calling Crestron at 1-888-CRESTRON [1-888-273-7876].

You can also log onto the online help section of the Crestron website (www.crestron.com/onlinehelp) to ask questions about Crestron products. First-time users will need to establish a user account to fully benefit from all available features.

Future Updates

As Crestron improves functions, adds new features and extends the capabilities of the PWE-4803RU, additional information may be made available as manual updates. These updates are solely electronic and serve as intermediary supplements prior to the release of a complete technical documentation revision.

Check the Crestron website periodically for manual update availability and its relevance. Updates are identified as an “Addendum” in the Download column.

Return and Warranty Policies

Merchandise Returns / Repair Service

1. No merchandise may be returned for credit, exchange or service without prior authorization from CRESTRON. To obtain warranty service for CRESTRON products, contact an authorized CRESTRON dealer. Only authorized CRESTRON dealers may contact the factory and request an RMA (Return Merchandise Authorization) number. Enclose a note specifying the nature of the problem, name and phone number of contact person, RMA number and return address.
2. Products may be returned for credit, exchange or service with a CRESTRON Return Merchandise Authorization (RMA) number. Authorized returns must be shipped freight prepaid to CRESTRON, 6 Volvo Drive, Rockleigh, N.J. or its authorized subsidiaries, with RMA number clearly marked on the outside of all cartons. Shipments arriving freight collect or without an RMA number shall be subject to refusal. CRESTRON reserves the right in its sole and absolute discretion to charge a 15% restocking fee plus shipping costs on any products returned with an RMA.
3. Return freight charges following repair of items under warranty shall be paid by CRESTRON, shipping by standard ground carrier. In the event repairs are found to be non-warranty, return freight costs shall be paid by the purchaser.

CRESTRON Limited Warranty

CRESTRON ELECTRONICS, Inc. warrants its products to be free from manufacturing defects in materials and workmanship under normal use for a period of three (3) years from the date of purchase from CRESTRON, with the following exceptions: disk drives and any other moving or rotating mechanical parts, pan/tilt heads and power supplies are covered for a period of one (1) year; touchscreen display and overlay components are covered for 90 days; batteries and incandescent lamps are not covered.

This warranty extends to products purchased directly from CRESTRON or an authorized CRESTRON dealer. Purchasers should inquire of the dealer regarding the nature and extent of the dealer's warranty, if any.

CRESTRON shall not be liable to honor the terms of this warranty if the product has been used in any application other than that for which it was intended or if it has been subjected to misuse, accidental damage, modification or improper installation procedures. Furthermore, this warranty does not cover any product that has had the serial number altered, defaced or removed.

This warranty shall be the sole and exclusive remedy to the original purchaser. In no event shall CRESTRON be liable for incidental or consequential damages of any kind (property or economic damages inclusive) arising from the sale or use of this equipment. CRESTRON is not liable for any claim made by a third party or made by the purchaser for a third party.

CRESTRON shall, at its option, repair or replace any product found defective, without charge for parts or labor. Repaired or replaced equipment and parts supplied under this warranty shall be covered only by the unexpired portion of the warranty.

Except as expressly set forth in this warranty, CRESTRON makes no other warranties, expressed or implied, nor authorizes any other party to offer any warranty, including any implied warranties of merchantability or fitness for a particular purpose. Any implied warranties that may be imposed by law are limited to the terms of this limited warranty. This warranty statement supersedes all previous warranties.

Trademark Information

All brand names, product names and trademarks are the sole property of their respective owners. Windows is a registered trademark of Microsoft Corporation. Windows95/98/Me/XP/Vista and WindowsNT/2000 are trademarks of Microsoft Corporation.

This page is intentionally left blank.



Crestron Electronics, Inc.
15 Volvo Drive Rockleigh, NJ 07647
Tel: 888.CRESTRON
Fax: 201.767.7576
www.crestron.com

Installation Guide – DOC. 6712A
(2021742)

08.08

Specifications subject to
change without notice.